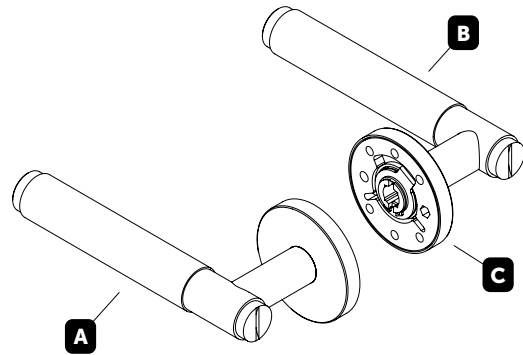


BUSTER + PUNCH

LONDON

DOOR LEVER HANDLE SET CROSS KNURL INSTALLATION 30/38MM SPRUNG

INSTALLATION MANUAL



**BUSTER + PUNCH DOOR HANDLE SETS, FOR
INSTALLATION ONTO A 35mm DOOR (MINIMUM).**

**PRODUCT VARIATIONS COVERED BY THIS
INSTRUCTION MANUAL ARE LISTED BELOW:**

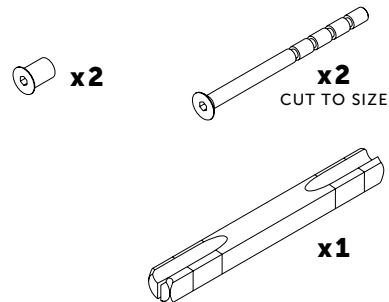
DOOR HANDLE SET OF 2 / CROSS / SPRUNG

BUSTER + PUNCH RECOMMENDED TUBULAR LATCHES:

TUBULAR LATCH / FOR DOOR HANDLE / 57mm BACKSET

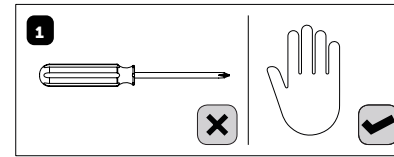
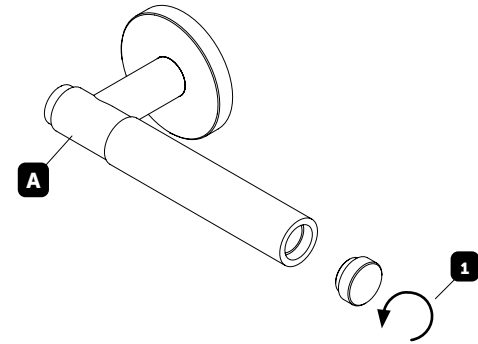
**OUR HANDLES ARE INTENDED FOR INTERNAL USE
ONLY. NOT FOR COMMERCIAL USE.**

CONTENTS

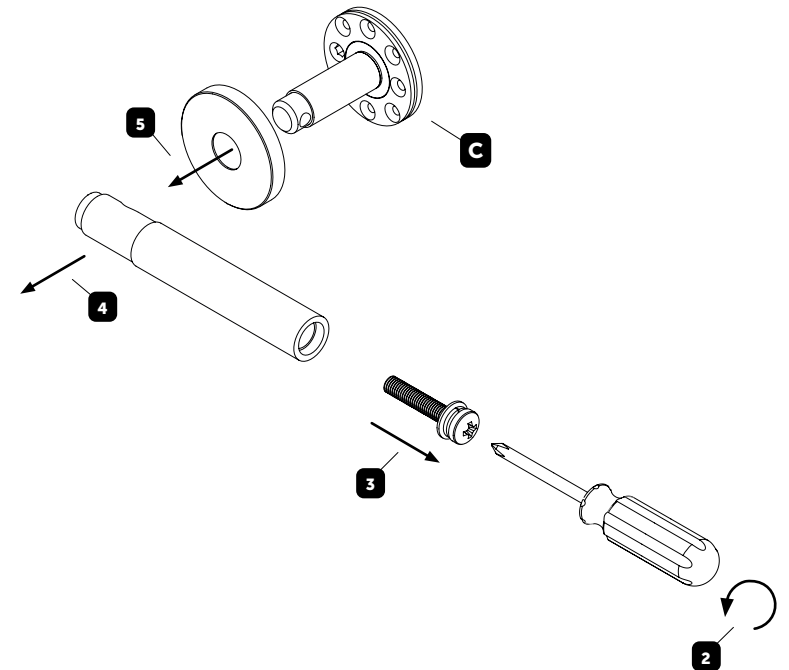


BUSTERANDPUNCH.COM
L0219

1

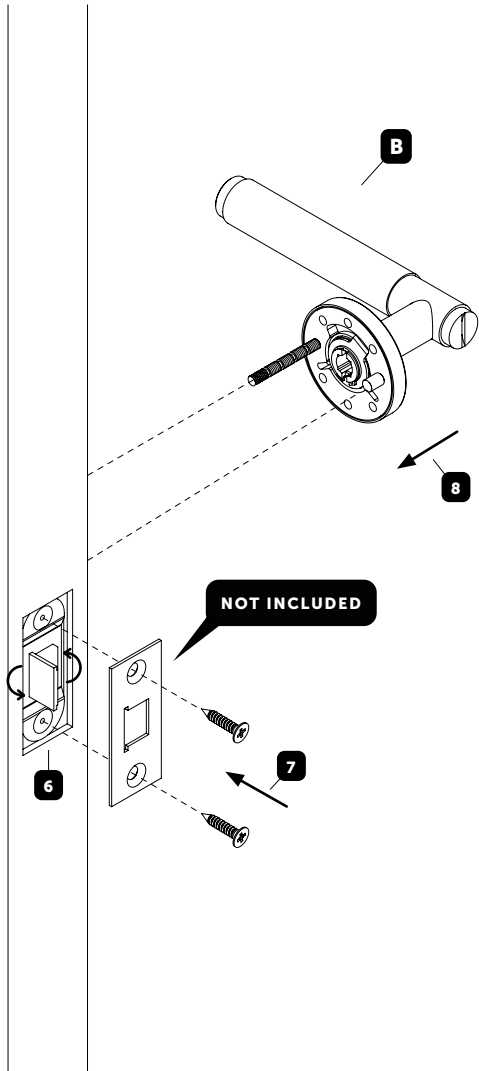
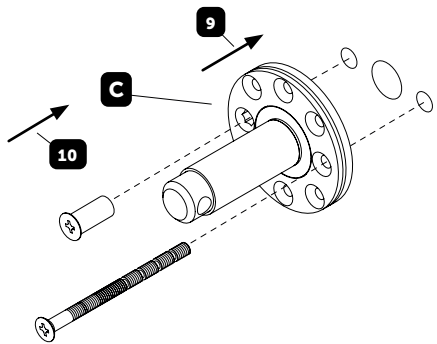
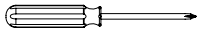


2



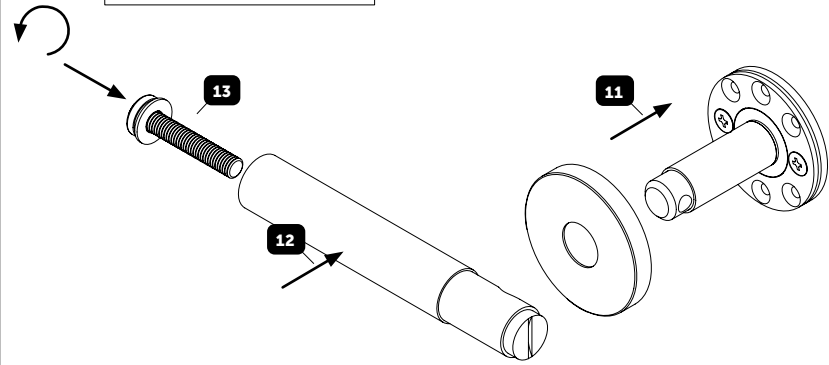
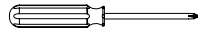
3

7 + 10



4

13

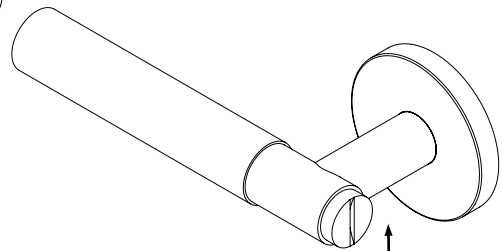


5

x 1



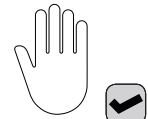
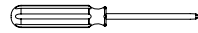
14



15



15



6 ROTATE THE LATCH TONGUE TO ENSURE THAT IS IT ORIENTATED CORRECTLY.

